

- 7R20041 MM 0001
Jun. 3, 2013
- TECHNICAL INFORMATION
- ENCLOSURE
TEAAC
 - BEARING LUBRICATION
DRIVE END;
GREASE: RAREMAX SUPER
(EQUIVALENT TO SKF LGHP2)
NON DRIVE END;
GREASE: RAREMAX SUPER
(EQUIVALENT TO SKF LGHP2)
 - WINDING TEMP. DETECTORS
(A) NUMBER AND TYPE
6-R.T.D. (Pt100-100Ω)
(B) LOCATION
IN STATOR SLOT
 - BEARING TEMP. DETECTORS
2-R.T.D. (Pt100-100Ω)
 - INNER AIR TEMP. DETECTORS
1-R.T.D. (Pt100-100Ω)
 - SPACE HEATER
1 PHASE 240 VOLTS 230 WATTS
 - ROTATION: C.C.W. VIEWED FROM DRIVE END.
THIS MOTOR IS B DIRECTIONAL.
 - VIBRATION SENSOR
BENTLEY NEVADA ACCELEROMETER
 - PAINT COLOR Metso BEIGE
 - ACCESSORIES
1-SHAFT END KEY
4SETS-SHIMS(3mm/FOOT)
1SET-SOLE PLATE
 - APPRPX. MASS
MOTOR : 7500 kg [16500 LBS]
BASE : 560 kg [1232 LBS]

Lycopodium

ENGINEERING VENDOR REVIEW

C1 - APPROVED - Submit Certified Final

C2 - PROCEED WITH COMMENTS
Revise and Re-Submit

C3 - DO NOT PROCEED
Revise and Re-Submit

C4 - REVIEW NOT REQUIRED
Information Only

AC - ACCEPTED - As Certified Final

Signature: *Malyi* Date: *2013.07.19*

ACCEPTANCE DOES NOT RELIEVE THE VENDOR / CONTRACTOR OF ITS RESPONSIBILITY OR LIABILITIES UNDER THE PURCHASE ORDER / CONTRACT

Should be IPS6

Refer to:

Correspondance by email

on 23-07-2013

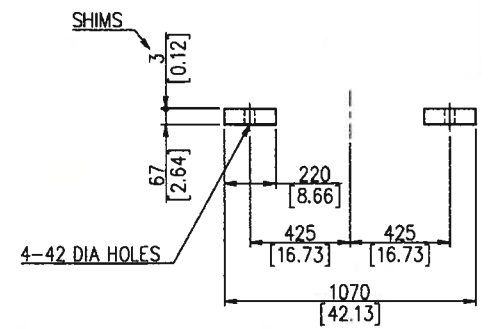
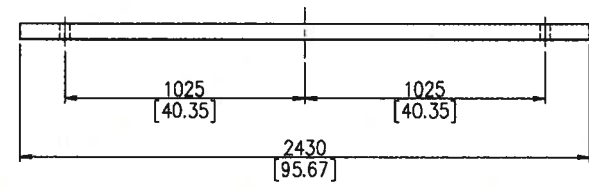
between Kyle and

Balaji

subject: 204-5002

G. G. G. G.

ES



metso minerals CERTIFIED DRAWING

METSO SKIDALE #/M
S6089127

ISSUE NAME
60-89 SUPERIOR MR-II
GYRATORY CRUSHER

CUSTOMER CHANGES
MAY AFFECT
PRICE AND DELIVERY

ORDER NUMBER
5004-V5002

DATE SUBMITTED
JULY 19, 2013

METSO PART NUMBER
110-P1303162

ISSUE NUMBER
01

CLASS NUMBER
10FL

ISSUED BY
D.J. Neupauer

DRAWING LIST

MAIN TERMINAL BOX	3JD008480
AUX TERMINAL BOX FOR SPACE HEATER R.T.D.	S7102648 M7156935
SECONDARY	3JD008481

定格出力 RATED OUTPUT 600 kW	極数 POLES 10	定格電圧 RATED VOLTAGE 415 V	定格周波数 RATED FREQ. 50 Hz	定格回転速度 RATED SPEED 590 min ⁻¹	軸受 BEARING 負荷側 D.E. 6230C3 反負荷側 N.D.E. 6230C3	総重量 APPROX. MASS 本体 MOTOR 8060 kg TOTAL 17732 LBS
形式 TYPE-FORM TIM-FCKW11-FW	絶縁等級 CLASS 155(F)	定格 RATING S1	種番号 FRAME 450-1400	保護方式 PROTECTION IP56		

承認 APPROVED BY
S. Yamada
May. 31, '13

調査 REVIEWED BY
S. Arimoto
May. 31, '13

調査 REVIEWED BY
Y. Shimura
May. 31, '13

担当 PREPARED BY
Y. Kusada
May. 31, '13

名称 TITLE
三相誘導電動機外形図

OUT LINE FOR THREE PHASE INDUCTION MOTOR

TOSHIBA
TOSHIBA MITSUBISHI-ELECTRIC
INDUSTRIAL SYSTEMS CORPORATION

図面番号 DRAWING NO.
2JD000912

品質管理 品質 品質 M.F. 普通許容差ハ下記ニヨル